



THE
SPRAY NOZZLE
PEOPLE

HYDROWHIRL® MINI

Small Rotary Nozzle
PVDF

TANK CLEANING DESIGN FEATURES

- ✓ Fluid-driven, self-flushing
- ✓ Durable compact design, maintenance-free
- ✓ Made from FDA-compliant PVDF material
- ✓ Corrosion-resistant
- ✓ Hydrostatic wear free slide bearing
- ✓ Threads available: 1/2" NPT/BSP female

SPRAY CHARACTERISTICS

- ✓ Vigorous spray action
- ✓ Spray Angles: Complete 360° spray coverage
- ✓ Flow Rates: 10.9 to 33.5 L/min
- ✓ Max Temperature: 90°C
- ✓ Filtration: Line strainer with a mesh size of 0.3mm/50 mesh

For additional connection types contact SNP



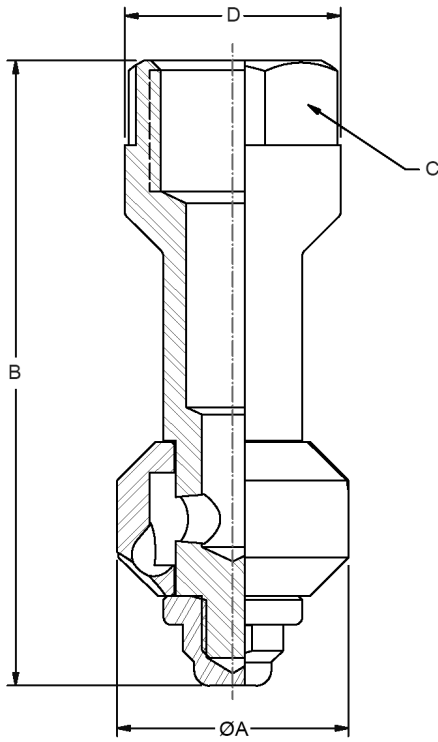
The HydroWhirl® Mini PVDF tank cleaning nozzle directs the cleaning water through a rotating head at the tip of the spray assembly and produces a vigorous moving spray action against all areas of the tank wall.

The spray pattern from the HydroWhirl Mini head uses impact and repetition to wash the tank quickly. Its compact size and corrosion resistant material make it ideal for cleaning harsh chemical residues in small spaces such as pipes and processing equipment.

CALL NOW : +44 (0) 1273 400092

www.spray-nozzle.co.uk

The Go-to People for spray nozzle solutions



DIMENSIONS IN MILLIMETRES

Connection Size	A	B	C	Weight grams
1/2"	30.5	81.3	22.9	31.1

HYDROWHIRL® MINI Flow Rates

Materials: PVDF

Female Connection Type	Nozzle No	Spray Angles	Flow Rate (L/Min) @ Bar						Coverage Dia. @ 3 Bar
			0.5 bar	0.7 bar	1 bar	2 bar	3 bar	4 bar	m
1/2" NPT/BSP	HWM 7.2	360°	10.9	13.0	15.8	23.0	28.7	33.5	2.0

*Flow rates represent threaded connections with a 360° spray angle.

*Flow rates may vary for other connection types and spray angles.