



THE
SPRAY NOZZLE
PEOPLE

BJH

Low Flow



FLAT FAN

DESIGN FEATURES

- ✓ Interchangeable spray tips
- ✓ Integral strainer available
- ✓ Male and female connections
- ✓ Tips can be used with BETE
- ✓ HydroPulse and BJ assemblies
- ✓ Tungsten carbide orifice inserts for maximum wear resistance and service life
- ✓ Male and Female Pipe Sizes: 1/8", 1/4", 3/8", and 1/2"

SPRAY CHARACTERISTICS

- ✓ Relatively coarse atomisation
- ✓ Uniform spray distribution with tapered edges for use in overlapping sprays
- ✓ Spray pattern: Flat Fan
- ✓ Spray angles: 0° to 120°
- ✓ Flow rates: 0.048 to 16.6 L/min



The BJB spray nozzle range is a low flow rate flat fan nozzle. It consists of three parts with a base, a spray tip and a cap nut (with an optional strainer). The base units and caps are universal meaning that spray tips can be swapped between base units.

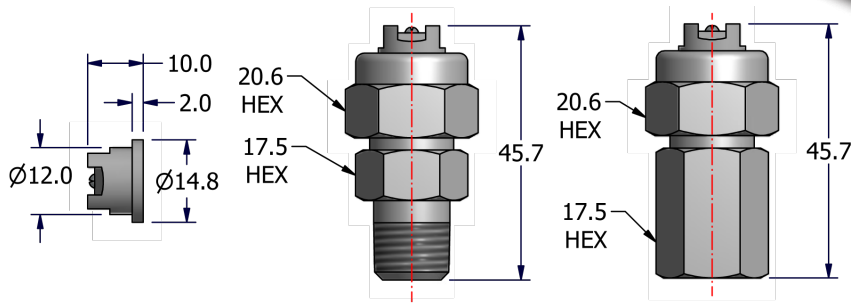
BJB Nozzles have a wide variety of uses. Common applications include:

Coating
Moistening
Lubrication
Spraying additives

CALL NOW : +44 (0) 1273 400092

www.spray-nozzle.co.uk

The Go-to People for spray nozzle solutions



BJH Flow Rates, Spray Angles, and Dimensions

Fan, 5° to 120° Spray Angles, 1/8", 1/4", 3/8", and 1/2" Pipe Size, Male and Female

Nozzle No	K	2 Bar	3 Bar	4 Bar	7 Bar	30 Bar	50 Bar	70 Bar	Equiv Orifice (mm)	Available Spray Angles	Mesh Filter	Wt (g)
BJH-018	0.018	-	-	-	0.048	0.099	0.127	0.151	0.18	5°, 10°, 15°, 20°, 25°, 30°, 33°, 40°, 50°	400	28
BJH-023	0.029	-	-	-	0.077	0.159	0.205	0.243	0.23	5°, 10°, 15°, 20°, 25°, 30°, 33°, 40°, 50°, 65°	400	28
BJH-028	0.043	-	-	-	0.114	0.236	0.304	0.360	0.28	5°, 10°, 20°, 33°, 40°, 50°, 65°, 73°	400	28
BJH-033	0.059	-	-	-	0.156	0.323	0.417	0.494	0.33	5°, 10°, 20°, 33°, 40°, 50°, 65°, 73°, 80°, 90°	400	28
BJH-038	0.079	-	-	-	0.209	0.433	0.559	0.661	0.38	10°, 20°, 33°, 40°, 50°, 65°, 73°, 80°, 90°, 100°	400	28
BJH-043	0.100	-	-	-	0.265	0.548	0.707	0.837	0.43			
BJH-045	0.110	0.156	0.191	0.220	0.291	0.602	0.778	0.920	0.45			
BJH-048	0.125	0.177	0.217	0.250	0.331	0.685	0.884	1.05	0.48	10°, 20°, 33°, 40°, 50°, 65°, 73°, 80°, 90°, 100°, 110°, 120°	400	28
BJH-053	0.152	0.215	0.263	0.304	0.402	0.833	1.07	1.27	0.53			
BJH-058	0.183	0.259	0.317	0.366	0.484	1.00	1.29	1.53	0.58			
BJH-063	0.216	0.305	0.374	0.432	0.571	1.18	1.53	1.81	0.63			
BJH-066	0.237	0.335	0.410	0.474	0.627	1.30	1.68	1.98	0.66			
BJH-068	0.251	0.355	0.435	0.502	0.664	1.37	1.77	2.10	0.68			
BJH-073	0.289	0.409	0.501	0.578	0.765	1.58	2.04	2.42	0.73			
BJH-078	0.330	0.467	0.572	0.660	0.873	1.81	2.33	2.76	0.78	10°, 20°, 33°, 40°, 50°, 65°, 73°, 80°, 90°, 100°, 110°, 120°	200	28
BJH-084	0.383	0.542	0.663	0.766	1.01	2.10	2.71	3.20	0.84			
BJH-089	0.430	0.608	0.745	0.860	1.14	2.36	3.04	3.60	0.89			
BJH-094	0.480	0.679	0.831	0.960	1.27	2.63	3.39	4.02	0.94			
BJH-099	0.532	0.752	0.921	1.06	1.41	2.91	3.76	4.45	0.99			
BJH-104	0.587	0.830	1.02	1.17	1.55	3.22	4.15	4.91	1.04			
BJH-109	0.645	0.912	1.12	1.29	1.71	3.53	4.56	5.40	1.09			
BJH-114	0.706	0.998	1.22	1.41	1.87	3.87	4.99	5.91	1.14	20°, 33°, 40°, 50°, 65°, 73°, 80°, 90°, 100°, 110°, 120°	100	28
BJH-119	0.769	1.09	1.33	1.54	2.03	4.21	5.44	6.43	1.19			
BJH-124	0.835	1.18	1.45	1.67	2.21	4.57	5.90	6.99	1.24			
BJH-129	0.904	1.28	1.57	1.81	2.39	4.95	6.39	7.56	1.29			
BJH-132	0.945	1.34	1.64	1.89	2.50	5.18	6.68	7.91	1.32			
BJH-135	0.990	1.40	1.71	1.98	2.62	5.42	7.00	8.28	1.35	20°, 33°, 40°, 50°, 65°, 73°, 80°, 90°, 100°, 110°	100	28
BJH-140	1.06	1.5	1.84	2.12	2.8	5.81	7.5	8.87	1.4			
BJH-145	1.14	1.61	1.97	2.28	3.02	6.24	8.06	9.54	1.45			
BJH-150	1.22	1.73	2.11	2.44	3.23	6.68	8.63	10.2	1.50			
BJH-155	1.31	1.85	2.27	2.62	3.47	7.18	9.26	11.0	1.55			
BJH-157	1.34	1.90	2.32	2.68	3.55	7.34	9.48	11.2	1.57	20°, 33°, 40°, 50°, 65°, 73°, 80°, 90°, 100°	100	28
BJH-160	1.39	1.97	2.41	2.78	3.68	7.61	9.83	11.6	1.60			
BJH-165	1.48	2.09	2.56	2.96	3.92	8.11	10.5	12.4	1.65			
BJH-170	1.57	2.22	2.72	3.14	4.15	8.60	11.1	13.1	1.70			
BJH-175	1.66	2.35	2.88	3.32	4.39	9.09	11.7	13.9	1.75			
BJH-180	1.76	2.49	3.05	3.52	4.66	9.64	12.4	14.7	1.80	20°, 33°, 40°, 50°, 65°, 73°, 80°, 90°	100	28
BJH-183	1.82	2.57	3.15	3.64	4.82	9.97	12.9	15.2	1.83			
BJH-185	1.86	2.63	3.22	3.72	4.92	10.2	13.2	15.6	1.85			
BJH-191	1.98	2.80	3.43	3.96	5.24	10.8	14.0	16.6	1.91	20°, 33°, 40°, 50°, 65°, 73°, 80°	100	28