

SS

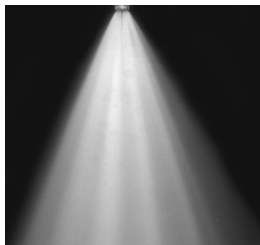
Small Droplet Size Dense Fog

DESIGN FEATURES

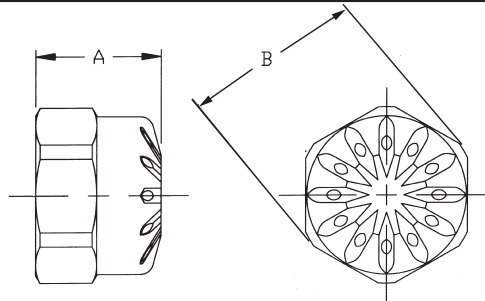
- Multiple flat fan patterns
- Solid one-piece construction
- Female connection

SPRAY CHARACTERISTICS

- Relatively small droplets
- Spray pattern: Dense Full Cone
 Flow rates: 9.16 to 618 l/min
 Spray angles:
 SS4.8 thru SS25 - 35°
 SS35 thru SS70 - 45°



Fog



Dimensions are approximate. Check with BETE for critical dimension applications.

SS Flow Rates and Dimensions Full Cone, 3/4", 1" and 1-1/4" Pipe Size, BSP or NPT

Female Pipe Size	Nozzle Number	K Factor	LITERS PER MINUTE @ BAR							Dimensions (mm)		Wt. (g)
			0.7 bar	1 bar	2 bar	3 bar	5 bar	10 bar	15 bar	A	B	
3/4	SS4.8	10.9	9.16	10.9	15.5	19.0	24.5	34.6	42.4	25.4	35.1	85.1
	SS9	20.5	17.2	20.5	29.0	35.6	45.9	64.9	79.5			
	SS12	27.4	22.9	27.4	38.7	47.4	61.2	86.5	106			
	SS18	41.1	34.3	41.1	58.1	71.1	91.8	130	159			
1	SS25	57.0	47.7	57.0	80.6	98.8	127	180	221	26.5	42.2	142
	SS35	79.8	66.8	79.8	113	138	178	252	309			
1 1/4	SS50	114	95.4	114	161	198	255	361	442	31.0	53.1	227
	SS70	160	134	160	226	277	357	505	618			

$$\text{Flow Rate (l/min)} = K\sqrt{\text{bar}}$$

Standard Materials: Brass, 303, and 316 Stainless Steel.